

PIC-SM115153

Spoke Mountable Magnet

RoHS

REACH

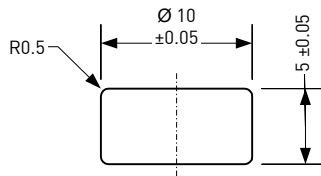
Data

Housing	Stainless Steel SUS316
Screw M4x6	Stainless Steel A2-70
Magnet	NdFeB N35, Ni coated, 10 x 5mm
Orientation	axially

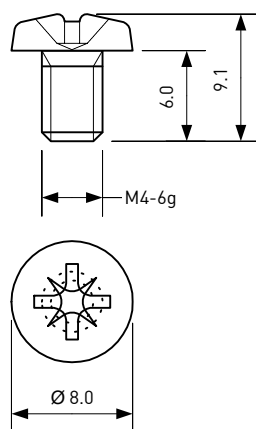
Remanence Br	mT	1160 - 1210
Coercivity HcB	kA/m	836
Coercivity HcJ	kA/m	955
Energy Product (BH) max.	kJ/m ³	263 - 287
Operating Temperature	°C	80
Curie Temperature Tc	°C	310 - 380

Nominal values unless otherwise specified.

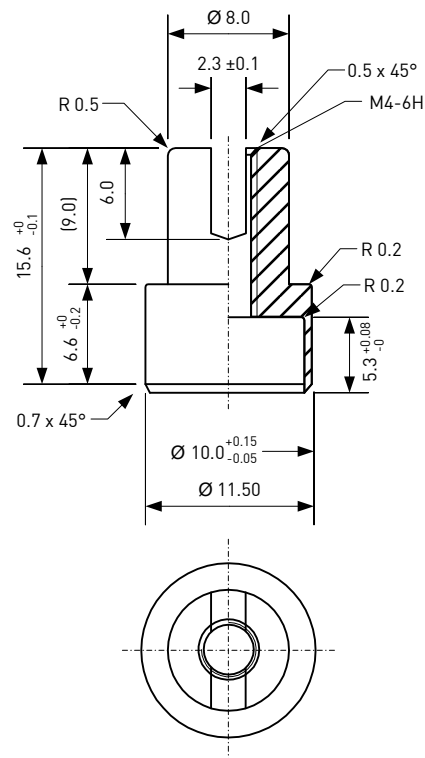
Dimensions of magnet in mm



Dimensions of screw in mm



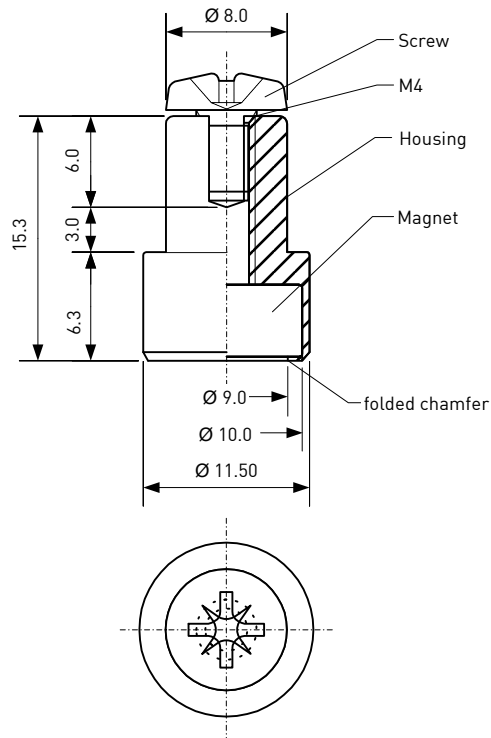
Dimensions of housing in mm



PIC-SM115153

Spoke Mountable Magnet

Dimensions of finished product



PIC-SM115153
Spoke Mountable Magnet

RoHS

REACH

Packing specification

FB122/AD131 MAGNET PACKING SPECIFICATION
(400PCS/CTN)

