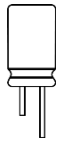
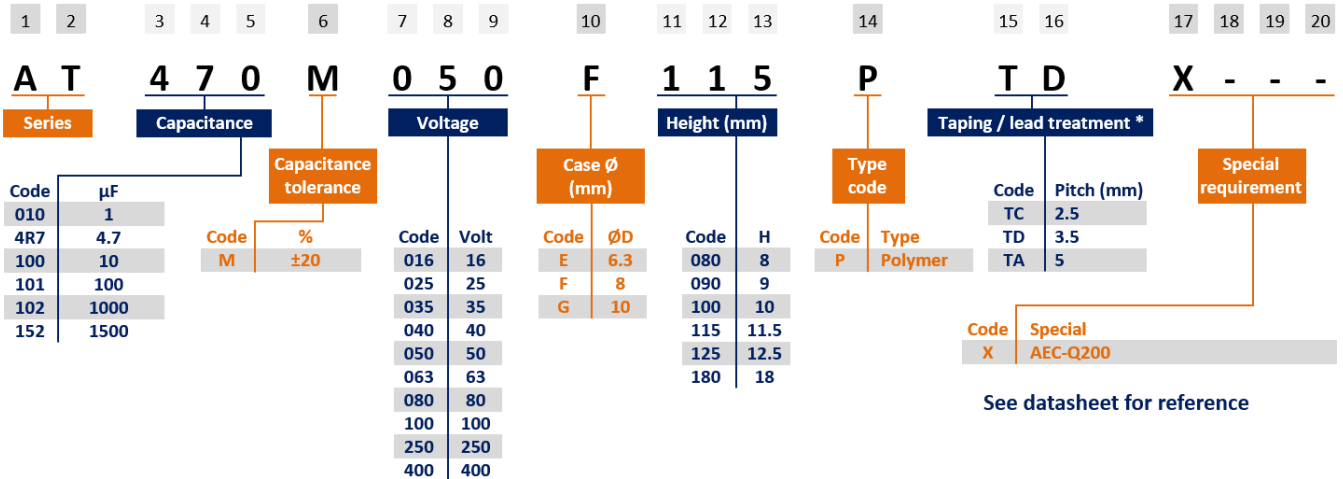


PRODUCT CODE - RADIAL HYBRID CONDUCTIVE POLYMER CAPACITORS



THT type example:

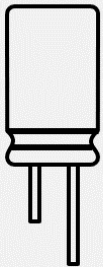
AT series ▪ 47µF ▪ 50V ▪ ±20% ▪ Ø 8mm ▪ L 11.5mm ▪ P 3.5mm ▪ Tape Ammo ▪ AEC-Q200



* See chapter taping or lead treatment for further information
Please consult CapXon for further assistance

MARKING - RADIAL HYBRID POLYMER CAPACITORS

Hybrid Polymer Capacitor - Radial type



CapXon: Manufacturer trademark
 47: Nominal capacitance (µF)
 50V: Rated voltage (V) ▪ Standard type
 50X: Rated voltage (V) ▪ AEC-Q200 type
 (-) polarity (Cathode indicate)

AT: AT Series
 003: Production datacode year/week
 (ex. 2020/3rd week)

Top view
Standard type



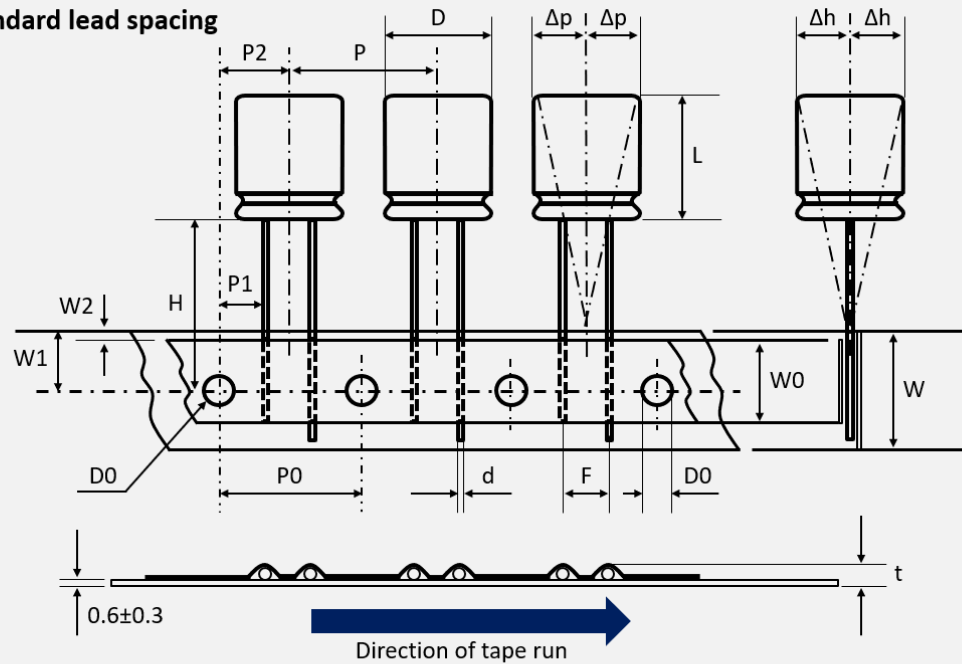
Top view
AEC-Q200 type



0 03
 → Production week
 → Last digit of the year

TAPING • RADIAL HYBRID POLYMER CAPACITORS • AMMO PACK

Taping • $\varnothing D \geq 6.3\text{mm}$ • standard lead spacing



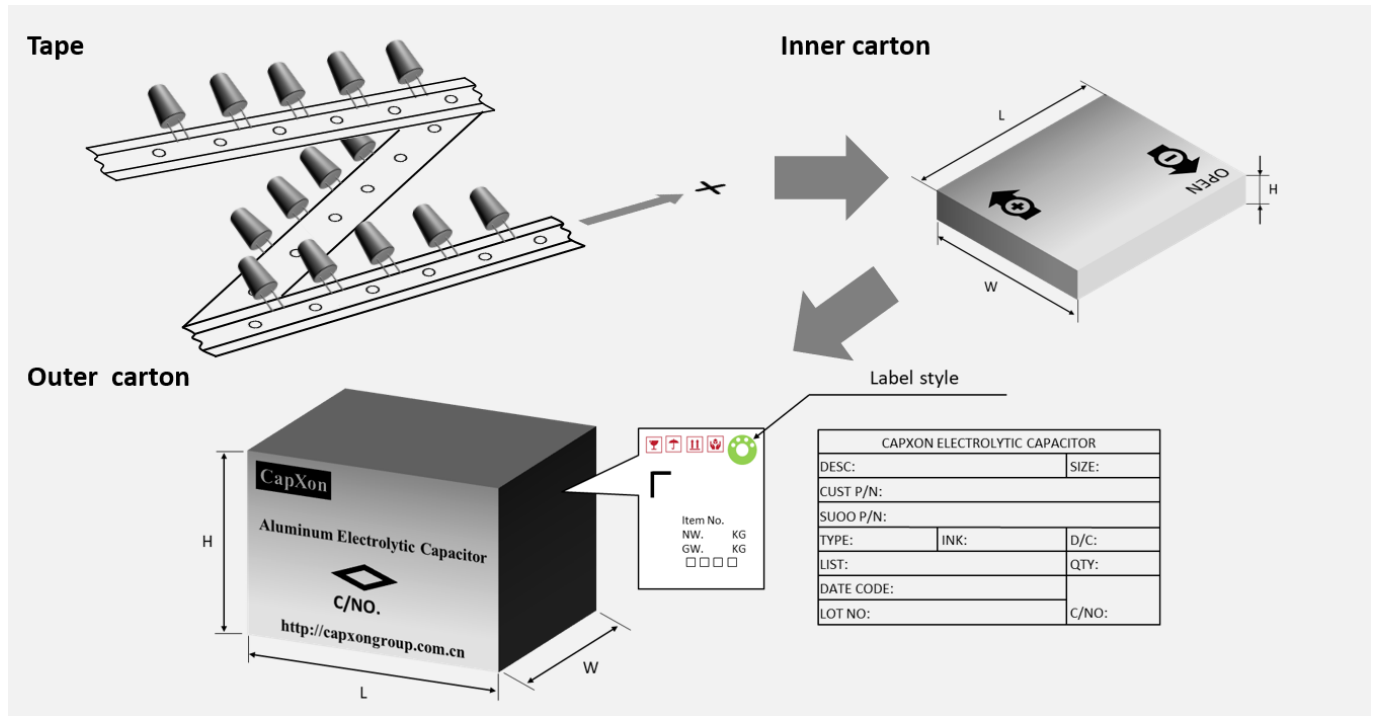
Example

A	S	2 2 1	M	0 2 5	F	1 1 5	P	T D	-	-	-	-
Series	Capacitance	Tolerance	Voltage	$\varnothing D$ (mm)	Height (mm)	Type code	Lead treatment	Special requirement				

All dimensions in mm

	D	L	d	P	P0	P1	P2	F	W	W0	W1	W2	H	D0	Δh	Δp	T	Code	
Tol	±0.5	-	±0.02	±1.0	±0.2	±0.7	±1.3	+0.4 -0.2	±0.5	±0.5	±0.5	Max	+0.75 -0.5	±0.2	Max	Max	Max		
Item	6.3	8 (±1.5)	0.6	12.7	12.7	5.1	6.35	2.5	18	11	9	2	18.5	4	1	1	1.5	TC	
	8	9 (±1.5)	0.6	12.7	12.7	4.6	6.35	3.5	18	11	9	2	18.5	4	1	1	1	1	TD
		11.5 (±1.5)																	TA
	10	10 (±1.5)	0.6	12.7	12.7	3.85	6.35	5	18	11	9	2	18.5	4	1	1	1.5	1.5	TA
12.5 (±1.5)																			
		18 (±2)																	

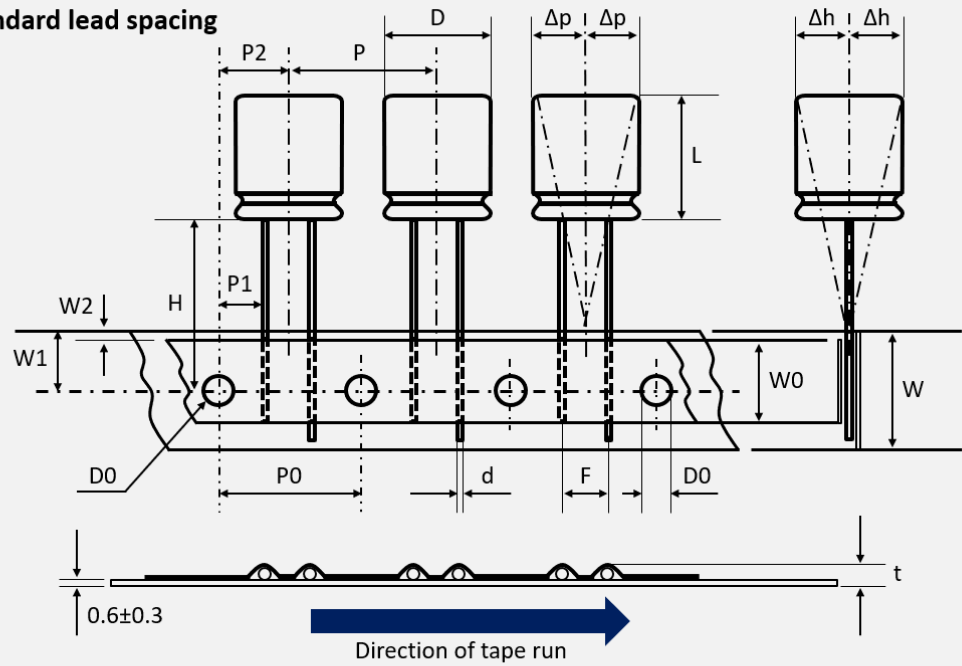
TAPING • RADIAL HYBRID POLYMER CAPACITORS • AMMO PACK



∅ D (mm)	Length L (mm)	Inner box quantity (pcs)	Inner box size L x W x H (mm)	Outer box quantity (pcs)	Outer box size L x W x H (mm)	Country of origin	Tariff number
6.3	8	1500	331 x 227 x 51	15000	474 x 343 x 285	China	85322200
8	9 to 11.5	800	331 x 227 x 51	8000	474 x 343 x 285	China	85322200
10	10 to 12.5	600	331 x 227 x 51	6000	474 x 343 x 285	China	85322200
	18	500	331 x 227 x 51	5000	474 x 343 x 285	China	85322200

TAPING • RADIAL HYBRID POLYMER CAPACITORS • REEL PACK

Taping • $\varnothing D \geq 6.3\text{mm}$ • standard lead spacing



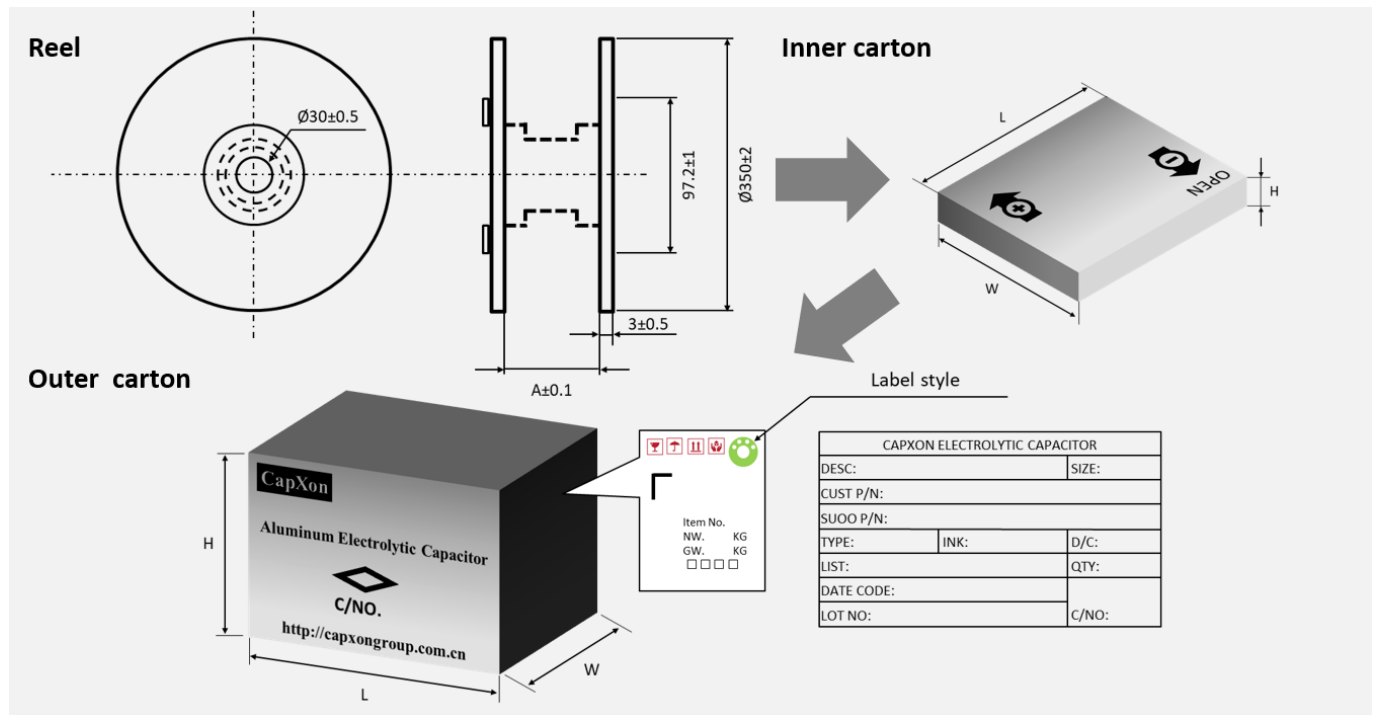
Example

A	S	2 2 1	M	0 2 5	F	1 1 5	P	R D	- - - -
Series	Capacitance	Tolerance	Voltage	$\varnothing D$ (mm)	Height (mm)	Type code	Lead treatment	Special requirement	

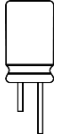
All dimensions in mm

	D	L	d	P	P0	P1	P2	F	W	W0	W1	W2	H	D0	Δh	Δp	T	Code	
Tol	±0.5	-	±0.02	±1.0	±0.2	±0.7	±1.3	+0.4 -0.2	±0.5	±0.5	±0.5	Max	+0.75 -0.5	±0.2	Max	Max	Max		
Item	6.3	8 (±1.5)	0.6	12.7	12.7	5.1	6.35	2.5	18	11	9	2	18.5	4	1	1	1.5	RC	
	8	9 (±1.5)	0.6	12.7	12.7	4.6	6.35	3.5	18	11	9	2	18.5	4	1	1	1	1	RD
		11.5 (±1.5)																	
	10	10 (±1.5)	0.6	12.7	12.7	3.85	6.35	5	18	11	9	2	18.5	4	1	1	1.5	1.5	RA
12.5 (±1.5)																			
		18 (±2)																	

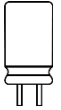
TAPING • RADIAL HYBRID POLYMER CAPACITORS • REEL PACK



$\varnothing D$ (mm)	Length L (mm)	A (mm)	Inner box quantity (pcs)	Inner box size L x W x H (mm)	Outer box quantity (pcs)	Outer box size L x W x H (mm)	Country of origin	Tariff number
6.3	8	45	1000	350 x 350 x 105	6000	375 x 375 x 343	China	85322200
8	9 to 11.5	45	800	350 x 350 x 105	4800	375 x 375 x 343	China	85322200
10	10 to 12.5	45	600	350 x 350 x 105	3600	375 x 375 x 343	China	85322200
	18	55	600	349 x 349 x 121	3600	375 x 375 x 385	China	85322200

**PACKAGING ▪ RADIAL HYBRID POLYMER CAPACITORS
STRAIGHT LEADS ▪ BULK PACK**


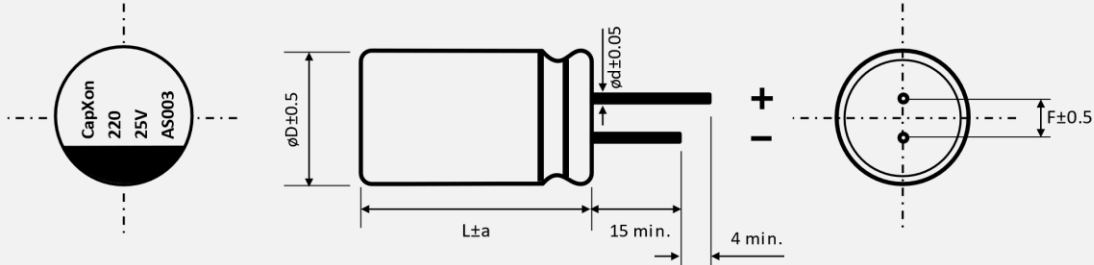
∅ D (mm)	Length L (mm)	Inner bag / Inner row (pcs)	Inner box quantity (pcs)	Inner box size L x W x H (mm)	Outer box quantity (pcs)	Outer box size L x W x H (mm)	Country of origin	Tariff number
6.3	8	600/bag	7200	293 x 181 x 223	7200	293 x 181 x 223	China	85322200
8	9	450/bag	5400	293 x 181 x 223	5400	293 x 181 x 223	China	85322200
	11.5	300/bag	3600	293 x 181 x 223	3600	293 x 181 x 223	China	85322200
10	10	300/bag	3600	293 x 181 x 223	3600	293 x 181 x 223	China	85322200
	12.5	200/bag	2400	293 x 181 x 223	2400	293 x 181 x 223	China	85322200
	18	200/bag	2400	293 x 181 x 223	2400	293 x 181 x 223	China	85322200

**PACKAGING ▪ RADIAL HYBRID POLYMER CAPACITORS
CUTTED LEADS ▪ BULK PACK**


∅ D (mm)	Length L (mm)	Inner bag / Inner row (pcs)	Inner box quantity (pcs)	Cutting height (mm)	Outer box quantity (pcs)	Outer carton quantity (pcs)	Country of origin	Tariff number
6.3	5.2	1200/bag	1200/box	≤ 7	14400	14400	China	85322200
8	9	600/bag	600/box	≤ 7	7200	7200	China	85322200
	11.5	500/bag	500/box	≤ 7	6000	6000	China	85322200
10	10	400/bag	400/box	≤ 7	4800	4800	China	85322200
	12.5	300/bag	300/box	≤ 7	3600	3600	China	85322200
	18	200/bag	200/box	≤ 7	2400	2400	China	85322200

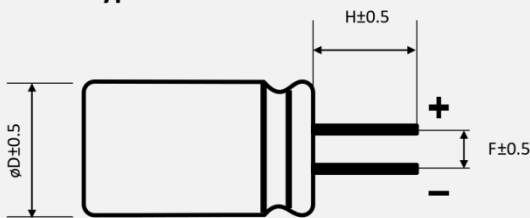
AVAILABLE LEAD TREATMENTS - RADIAL HYBRID POLYMER CAPACITORS

Radial type - standard lead spacing (all dimensions in mm)



$\varnothing D$ (mm)	L (mm)	a (mm)	F (mm)	$\varnothing d$ (mm)
6.3	8	1	2.5	0.6
8	9	1.5	3.5	0.6
8	11.5	1.5	3.5	0.6
10	10	1.5	5	0.6
10	12.5	1.5	5	0.6
10	18	2	5	0.6

Radial type - CA version - cutted leads - standard lead spacing

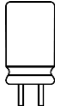


Length „H“ customized. See product code table customized lead length for further reference.

$\varnothing D$ (mm)	6.3	8	10
F (mm)	2.5	3.5	5

Example

A	S	2 2 1	M	0 2 5	F	1 1 5	P	C A	- - - -
Series	Capacitance	Tolerance	Voltage	$\varnothing D$ (mm)	Height (mm)	Type code	Lead treatment	Special requirement	

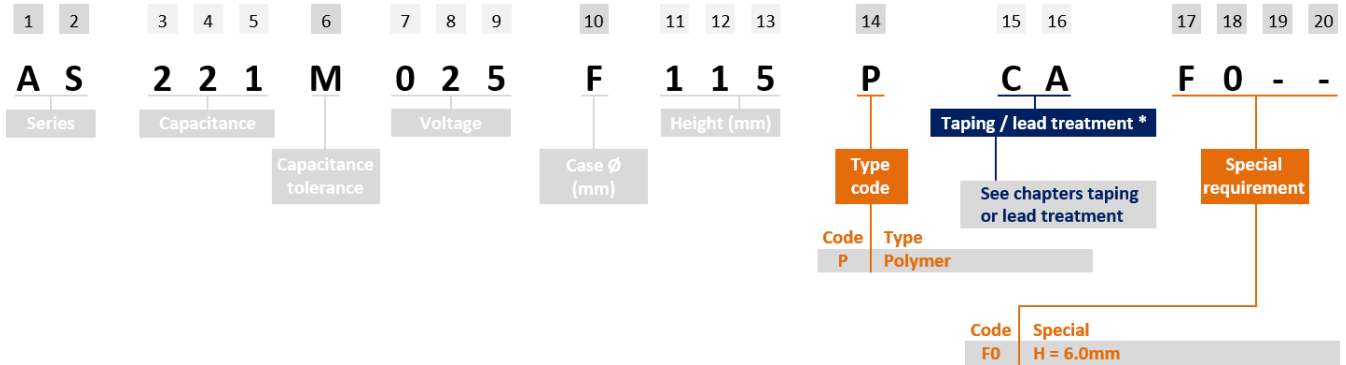


PRODUCT CODE TABLE • CUSTOMIZED LEAD LENGTH

THT type example:

AS series ▪ 220µF ▪ 25V ▪ ±20% ▪ Ø 8mm ▪ L 11.5mm ▪ CA version, cutted leads ▪ P 3.5mm ▪ H 6.0mm

▪ Non-Automotive



Product code 17 th digit	H (mm)
A	1
B	2
C	3
D	4
E	5
F	6
G	7

Product code 18 th digit	H (mm)
0	0.0
1	0.1
2	0.2
3	0.3
4	0.4
5	0.5
6	0.6
7	0.7
8	0.8
9	0.9

Example H (mm)	Product code Non-Automotive
4.0	D0
4.5	D5
5.2	E2
6.0	F0

Example H (mm)	Product code Automotive
4.0	XD0
4.5	XD5
5.2	XE2
6.0	XF0

The 17th digit is according basic ordering of the Latin alphabet and shows the measure "H" in front of the decimal separator. The 18th digit follows the numbering from 0 to 9 and shows the measure "H" after the decimal separator.

Remark for Automotive version: In the case of an AEC-Q200 qualified component, the measure "H" in front of the decimal separator moves to the 18th digit and the measure "H" after the decimal separator to the 19th digit.