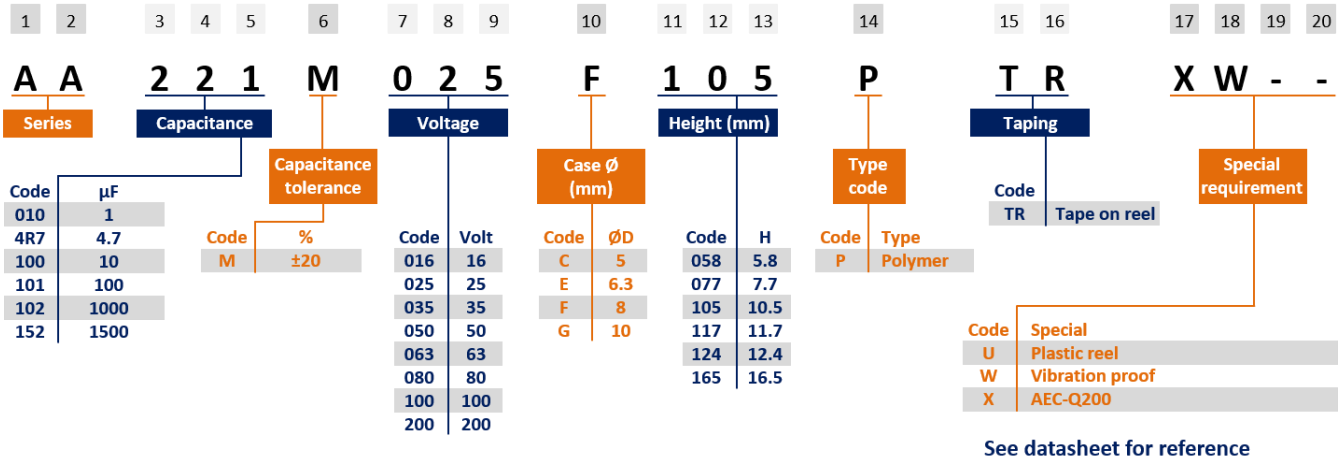


PRODUCT CODE - SMD HYBRID CONDUCTIVE POLYMER CAPACITORS



SMD type example:

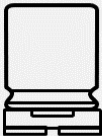
AA series ▪ 220µF ▪ 25V ▪ ±20% ▪ Ø 8mm ▪ L 10.5mm ▪ Tape & Reel ▪ AEC-Q200 ▪ Vibration proof package



Please consult CapXon for further assistance

MARKING - SMD HYBRID CONDUCTIVE POLYMER CAPACITORS


Hybrid Polymer Capacitor - SMD type




CapXon: Manufacturer trademark
 220: Nominal capacitance (µF)
 25V: Rated voltage (V) ▪ Standard type
 25X: Rated voltage (V) ▪ AEC-Q200 type
 (-) polarity (Cathode indicate)

AA: AA Series
 003: Production datacode year/week (ex. 2020/3rd week)

Top view
Standard type



Top view
AEC-Q200 type

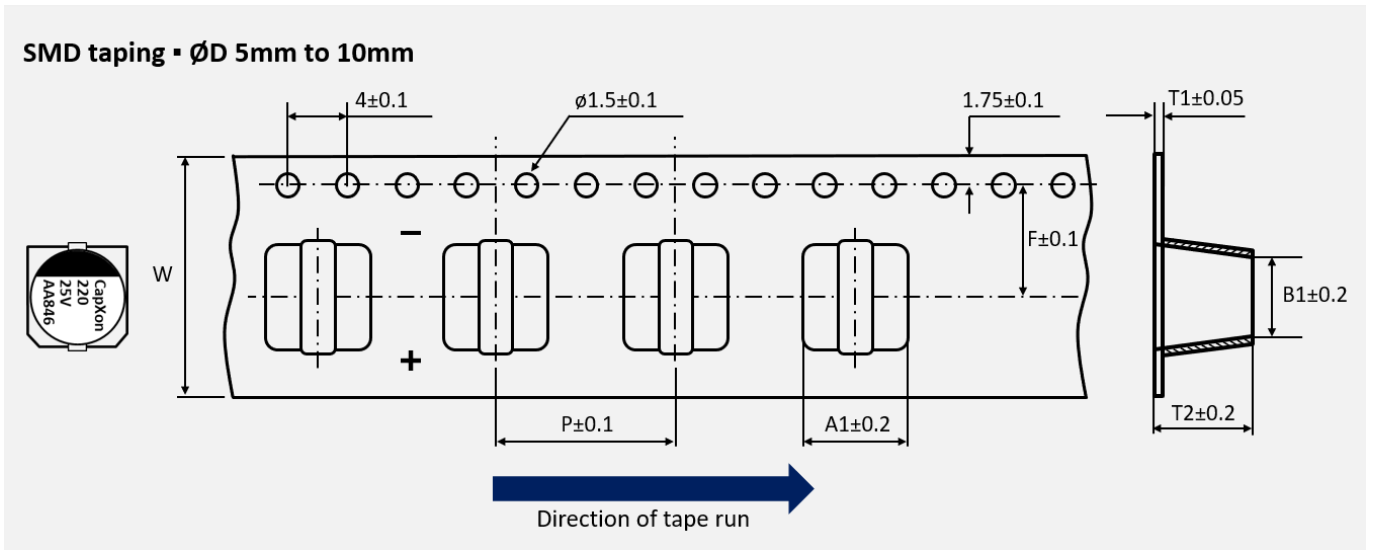


0 03

→ Production week

→ Last digit of the year

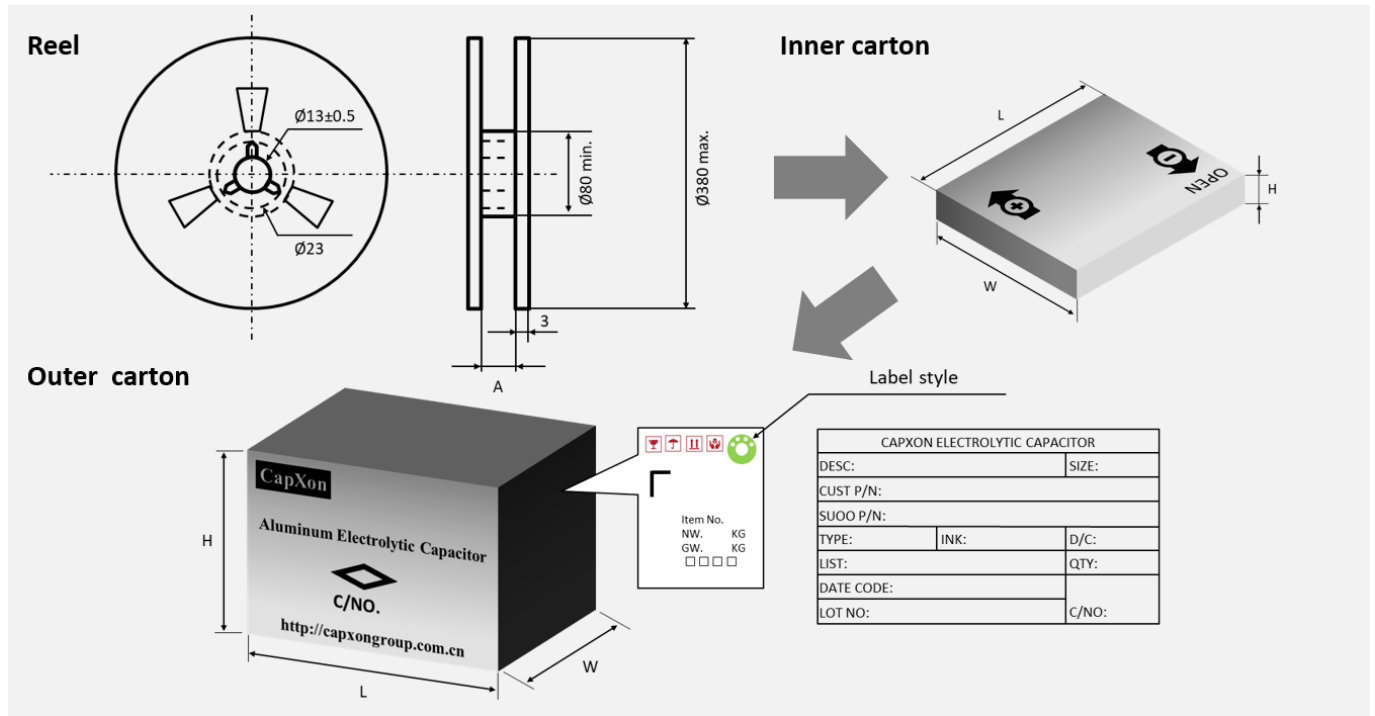
TAPING - SMD HYBRID CONDUCTIVE POLYMER CAPACITORS - REEL PACK



All dimensions in mm

ϕD	5 x 5.8	6.3 x 5.8	6.3 x 7.7	8 x 10.5	8 x 11.7	10 x 10.5	10 x 12.4	10 x 16.5
W	12	16	16	24	24	24	24	24
P	12	12	12	16	16	16	16	16
F	5.5	7.5	7.5	11.5	11.5	11.5	11.5	11.5
A1	5.7	7	7	8.7	8.7	10.7	10.7	13.3
B1	5.7	7	7	8.7	8.7	10.7	10.7	10.7
T1	0.4	0.4	0.4	0.4	0.4	0.4	0.4	0.5
T2	6.1	5.7	8	11	13	11	12.9	17.5

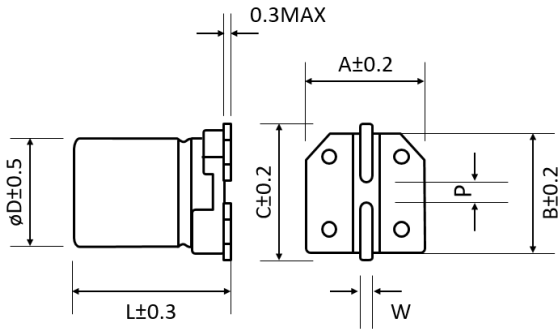
TAPING • SMD HYBRID CONDUCTIVE POLYMER CAPACITORS • REEL PACK



Ø D (mm)	L (mm)	A (mm)	Reel quantity (pcs)	Inner box quantity (pcs)	Inner box size L x W x H (mm)	Outer box quantity (pcs)	Outer box size L x W x H (mm)	Country of origin	Tariff number
5	5.8	14	1000	5000	400 x 390 x 106	15000	474 x 343 x 285	China	85322200
6.3	5.8	18	1000	4000	400 x 390 x 106	12000	474 x 343 x 285	China	85322200
	7.7	18	900	3600	400 x 390 x 106	10800	474 x 343 x 285	China	85322200
8	10.5	26	500	1500	400 x 390 x 106	4500	474 x 343 x 285	China	85322200
	11.7	26	400	1200	400 x 390 x 106	3600	474 x 343 x 285	China	85322200
10	10.5	26	500	1500	400 x 390 x 106	4500	474 x 343 x 285	China	85322200
	12.4	26	400	1200	400 x 390 x 106	3600	474 x 343 x 285	China	85322200
	16.5	26	250	750	400 x 390 x 106	2250	474 x 343 x 285	China	85322200

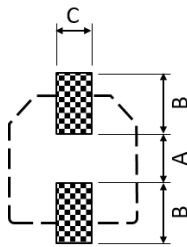
Remark: Standard = Paper reel
 Plastic reel = Add code "U" at the end of the part number

DIMENSIONS STANDARD PACKAGE ▀ All dimensions in mm



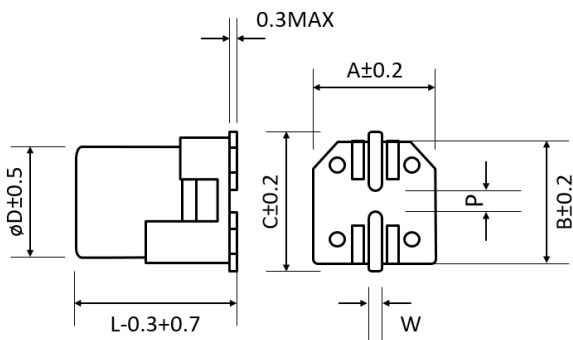
ϕD	L	A	B	C	W	P ± 0.2
5	5.8	5.3	5.3	5.9	0.5 to 0.8	1.4
6.3	5.8	6.5	6.5	7.2	0.5 to 0.8	2.2
6.3	7.7	6.5	6.5	7.2	0.5 to 0.8	2.2
8	10.5	8.3	8.3	9.0	0.7 to 1.1	3.1
8	11.7	8.3	8.3	9.0	0.7 to 1.1	3.1
10	10.5	10.3	10.3	11.0	0.7 to 1.1	4.5
10	12.4	10.3	10.3	11.0	0.7 to 1.1	4.5
10	16.5	10.3	10.3	11.0	0.7 to 1.1	4.5

PAD LAYOUT STANDARD PACKAGE ▀ All dimensions in mm



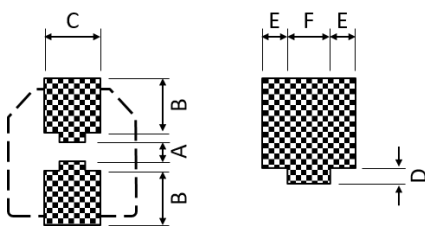
ϕD	L	A	B	C
5	5.8	1.4	3.0	1.6
6.3	5.8	2.1	3.5	1.6
6.3	7.7	2.1	3.5	1.6
8	10.5	2.8	4.2	1.9
8	11.7	2.8	4.2	1.9
10	10.5	4.3	4.4	1.9
10	12.4	4.3	4.4	1.9
10	16.5	4.3	4.4	1.9

DIMENSIONS VIBRATION PROOF PACKAGE ▀ All dimensions in mm



ϕD	L	A	B	C	W	P ± 0.2
6.3	5.8	6.6	6.6	7.3	0.5 to 0.8	2.2
6.3	7.7	6.6	6.6	7.3	0.5 to 0.8	2.2
8	10.5	8.3	8.3	9.0	0.7 to 1.1	3.1
8	11.7	8.3	8.3	9.0	0.7 to 1.1	3.1
10	10.5	10.5	10.5	11.2	0.7 to 1.1	4.5
10	12.4	10.5	10.5	11.2	0.7 to 1.1	4.5
10	16.5	10.5	10.5	11.2	0.7 to 1.1	4.5

PAD LAYOUT VIBRATION PROOF PACKAGE ▀ All dimensions in mm



ϕD	L	A	B	C	D	E	F
6.3	5.8	2.1	3.5	3.3	0.8	0.8	1.7
6.3	7.7	2.1	3.5	3.3	0.8	0.8	1.7
8	10.5	2.8	4.2	4.5	0.8	1.1	2.3
8	11.7	2.8	4.2	4.5	0.8	1.1	2.3
10	10.5	4.3	4.5	5.0	0.8	1.3	2.4
10	12.4	4.3	4.5	5.0	0.8	1.3	2.4
10	16.5	4.3	4.5	5.0	0.8	1.3	2.4