

PRODUCT CODE - SMD MLPC - MULTILAYER POLYMER CAPACITORS



SMD type example:

XA series ▪ 100µF ▪ 6.3V ▪ ±20% ▪ L x W 7.3 x 4.3mm ▪ H 1.9mm ▪ 15mΩ ▪ Tape & Reel

1	2	3	4	5	6	7	8	9	10	11	12	13	14	15	16	17	18	19	20
X A		1 0 1			M	6 R 3			7 0		1 9		P	1 5 0			- - -		
Series		Capacitance			Capacitance tolerance	Voltage			Case L x W (mm)		Height (mm)		Type code	ESR (mΩ)			Special requirement		
Code	µF	Code			%	Code	Volt	Code		L x W	Code	H	Code	Type	Code	ESR			
010	1	M			±20	002	2	70		7.3 x 4.3	19	1.9	P	Polymer	4R5	4.5			
4R7	4.7					2R5	2.5								060	6			
100	10					004	4								090	9			
101	100					6R3	6.3								120	12			
102	1000					008	8								150	15			
152	1500					010	10								300	30			
						016	16								400	40			
						025	25								600	60			

Please consult CapXon for further assistance

MARKING - SMD MLPC - MULTILAYER POLYMER CAPACITORS

MLPC - Multilayer Polymer Capacitor - SMD type

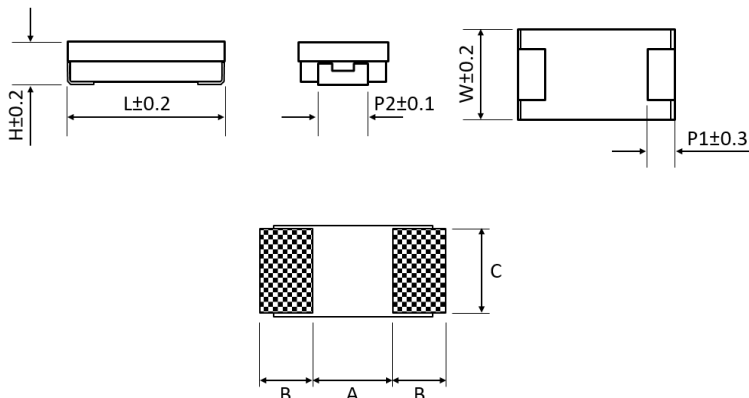
CX: Manufacturer trademark = CapXon
 331: Nominal capacitance (µF) ▪ 331 = 330µF
 d: Rated voltage ▪ d = 2V (see table)
 (+) polarity (Anode indicate)

025: Production datacode year/week
 (ex. 025 = 2020/25th week)

Top view

Rated voltage code	d	e	g	j	A	C	D	E
Rated voltage	2V	2.5V	4V	6.3V	10V	16V	20V	25V

DIMENSIONS AND PAD LAYOUT - All dimensions in mm

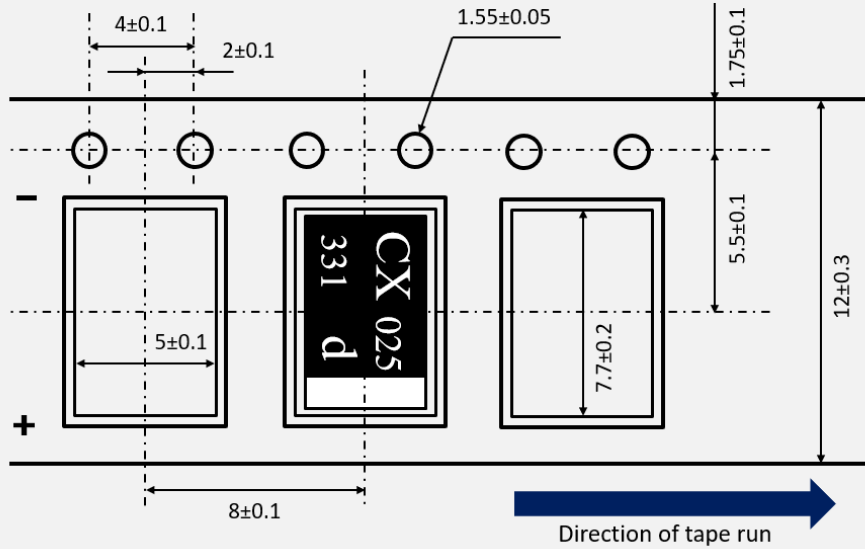


L	W	H	P1	P2
7.3	4.3	1.9	1.3	2.4

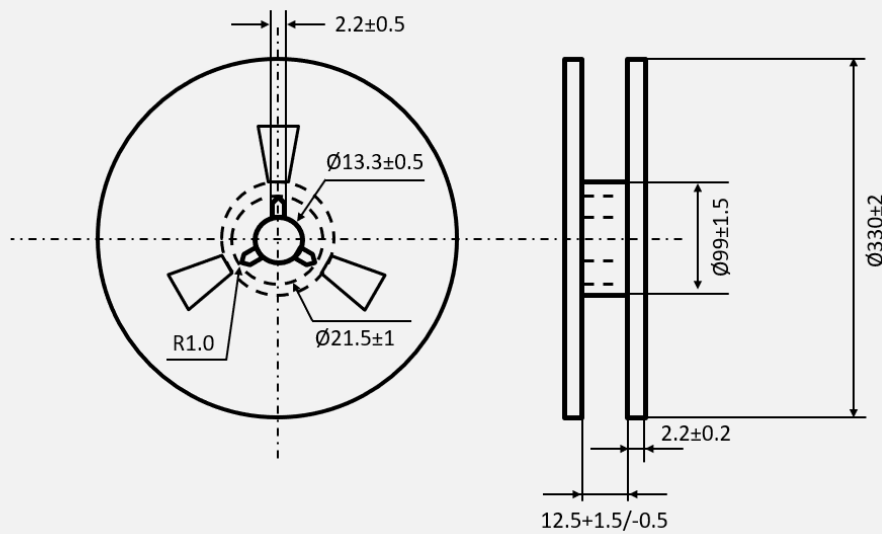
A	B	C
3.8	2.5	4

TAPING • SMD MLPC - MULTILAYER POLYMER CAPACITORS • REEL PACK

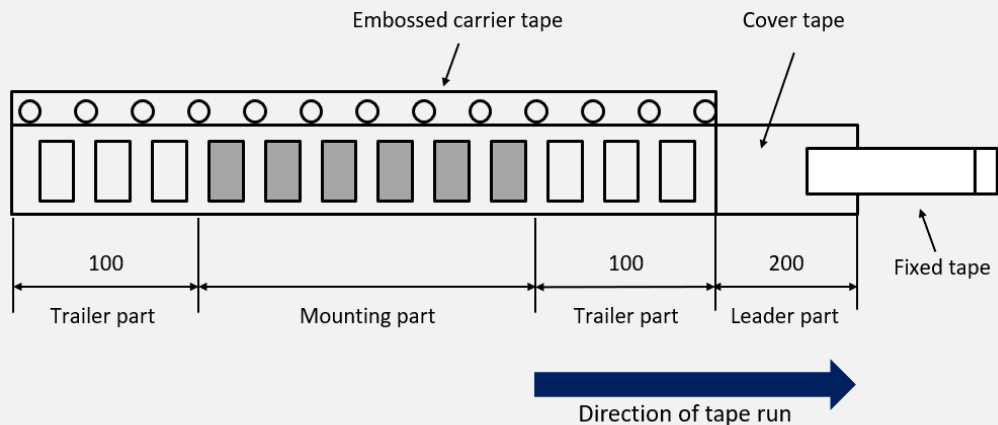
MLPC tape (unit: mm)



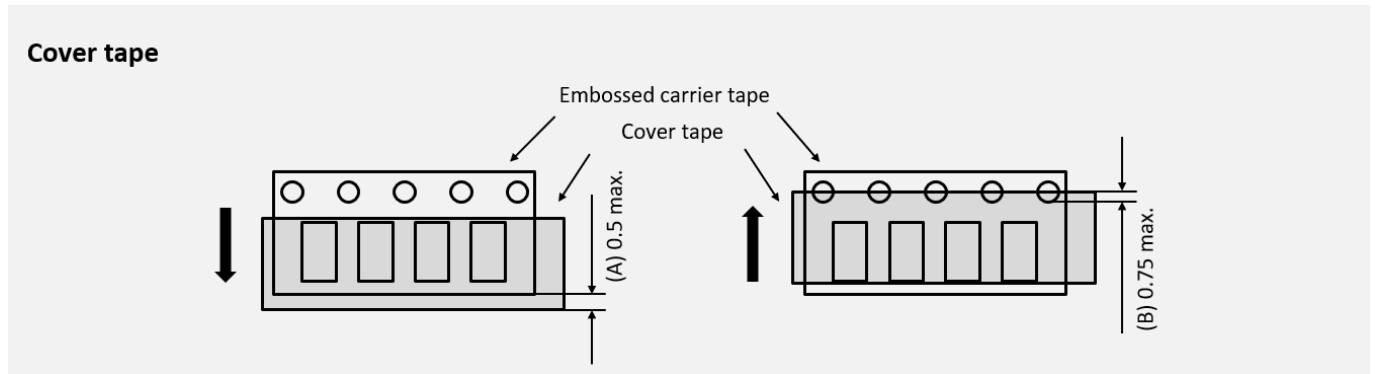
Reel (unit: mm)



Cover tape (unit: mm)

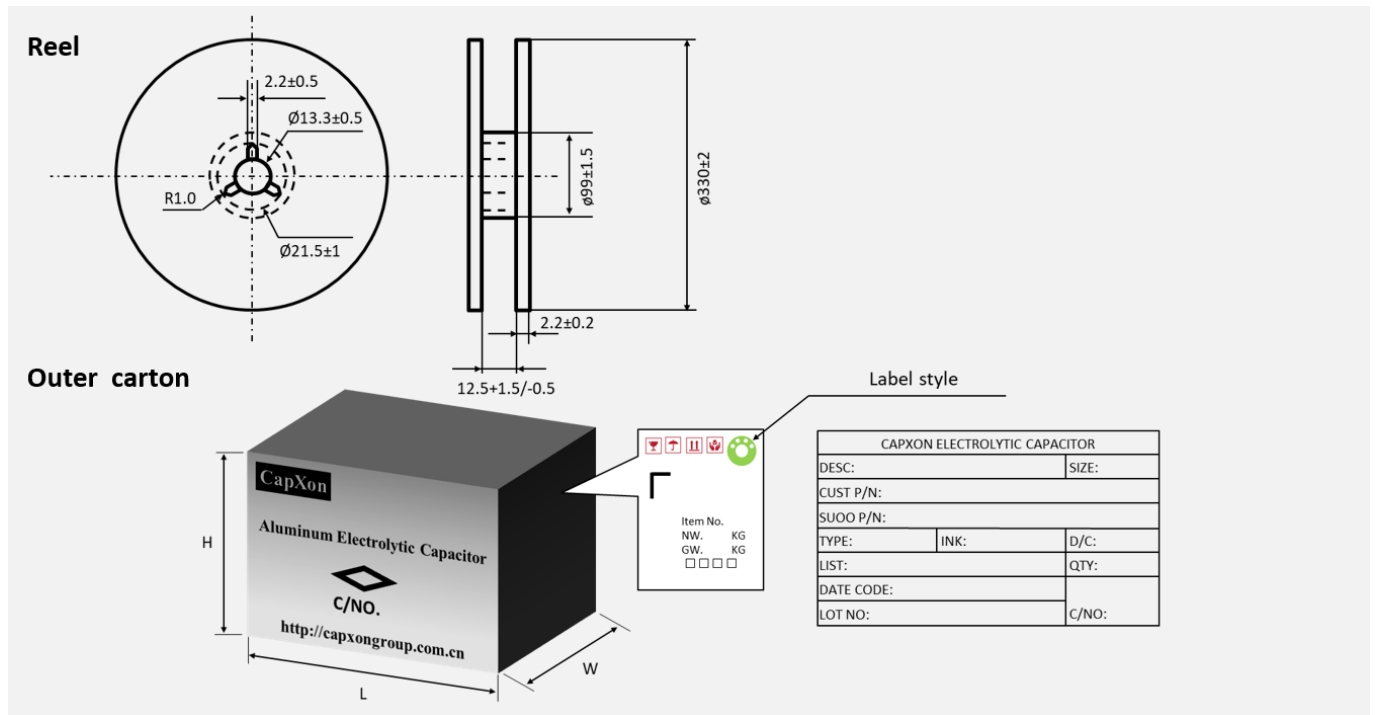


TAPING • SMD MLPC - MULTILAYER POLYMER CAPACITORS • REEL PACK



The cover tape covered the sprocket holes shall not exceed the limit as following:

- Deviation between carrier tape and seal tape shall be less than 0.5mm.
- Seal tape covered on the feeding holes shall be less than 0.75mm.



Series	Reel quantity (pcs)	Outer box quantity (pcs)	Outer box size L x W x H (mm)	Country of origin	Tariff number
XA	3500	17500	395 x 395 x 130	China	85322200