



DATASHEET REV 0510

MAIN FEATURES

Description	Wire wound resistor on mica plate coated with cement
Market	Industrial Automation
Applications	Dynamic braking, Charge Discharge Capacitors
Mechanical characteristics	Protection Degree IP20, Housing: galvanised iron or stainless steel
Special version	Not-inductive, Customized cables, UL version on request
Options	Thermal switch, heat-sink, fixing metal plate
Active materials	Available: Nickel-Chrome Alloys
Notes	Easy mounting for their flat shape
Overload conditions	Please refer to catalogue DBR technical notes

Parameter	Condition	ID	Unit	Value
Rated power	T _a =25°C	P _{max}	W	see table
Power 250°C	T _a =25°C	P _{nom}	W	see table
Min resistance	T _a =25°C	R _{min}	Ω	see table
Max resistance	T _a =25°C	R _{max}	Ω	see table
Limit voltage		V _{lim}	V	see table
Surface resistor temp.	T _a =25°C	T _{max}	°C	see graph
Resistance tolerance	T _a =25°C		%	±5
Temp. Coefficient Resistance		TCR	10 ⁻⁶ /°C	20÷240
Dielectric strenght	50Hz; 60"	V _{iso}	V _{rms}	see table
Insulation resistance	1.000 VDC	R _{iso}	MΩ	> 1.000
Thermal time constant		t	sec	see table
Max Overload		P	kW	see graph

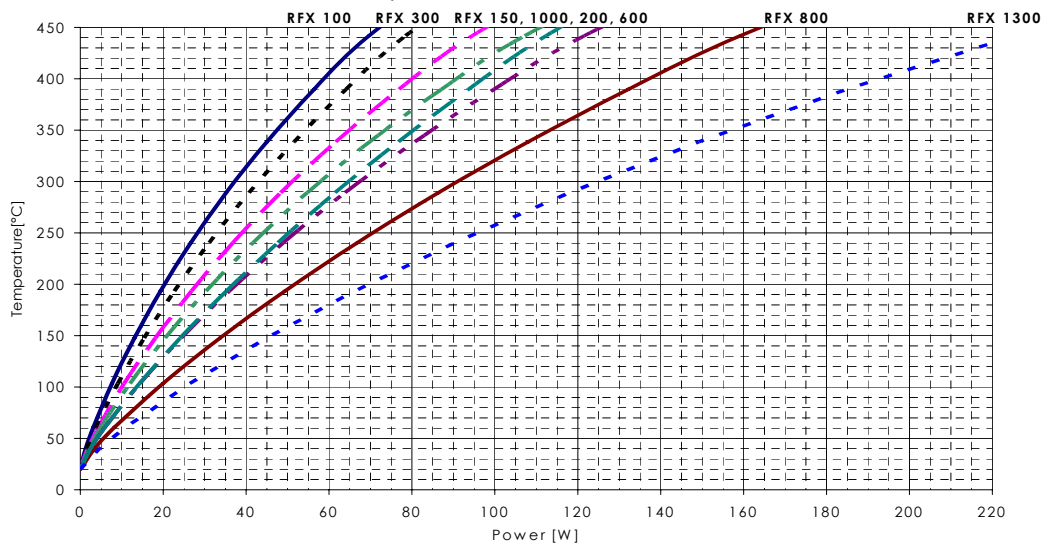
ELECTRICAL CHARACTERISTICS (RFX 600,1300)

ID Unit	P _{max} W	P _{nom} W	R _{min} Ω	R _{max} Ω	V _{lim} V	V _{iso} V _{rms}	t sec
RFX 600	110	75	1,5	6k5	1.000	4.000	300
RFX 1300	210	140	3	21k	1.000	4.000	500

UR/CSA MARKING

ID Unit	P _{max} W	V _{limUL} V	T _{max} °C	R _{MinUL} Ω	R _{MaxUL} Ω
RFX 600	75	600	220	1,50	3k6
RFX 1300	150	600	220	3,00	1k8

Surface Temperature Characteristics

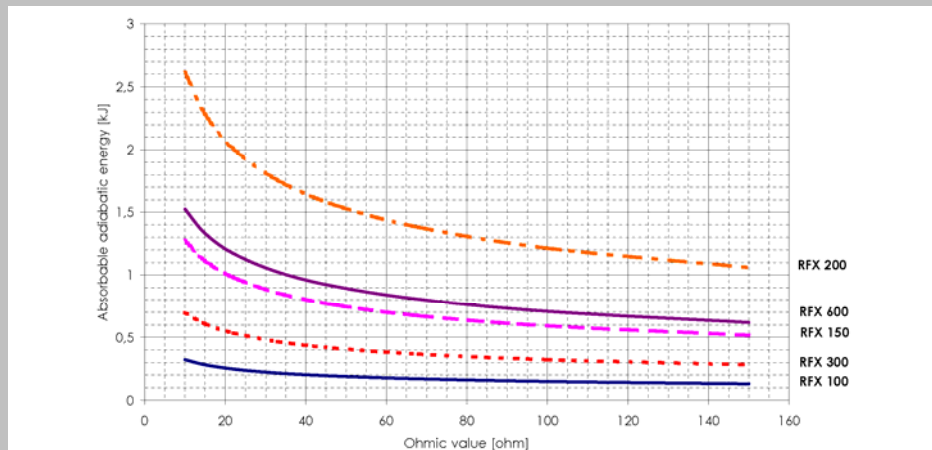




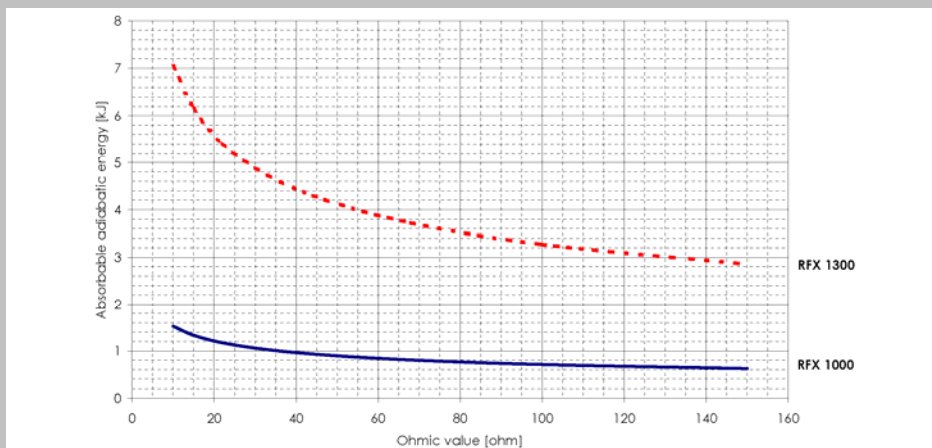
ELECTRICAL CHARACTERISTICS (RFX 100,150,200,300,800,1000)

ID Unit	Pmax W	Pnom W	Rmin Ω	Rmax Ω	Vlim V	Viso Vrms	t sec
RFX 100	60	40	1,3	2k	800	3.000	300
RFX 150	85	55	4	5k7	800	3.000	300
RFX 200	100	65	6	9k8	800	3.000	300
RFX 300	70	50	2,5	3k5	800	3.000	300
RFX 800	150	100	2	8k5	1.000	3.000	300
RFX 1000	105	70	3	12k5	1.000	3.000	500

Absorbable adiabatic energy graph RFX 100-600



Absorbable adiabatic energy graph RFX 1000-1300



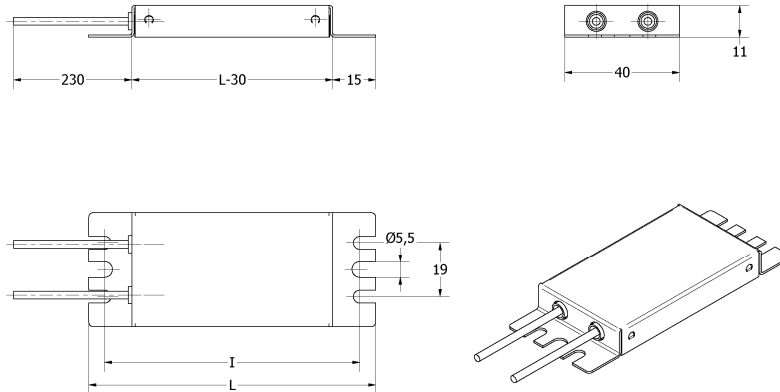


DATASHEET REV 0510

MECHANICAL DATA (RFX 100,150,200)

Dimensions [mm]	L	I	Weight [gr]
RFX 100	100	89	95
RFX 150	145	134	140
RFX 200	195	184	185

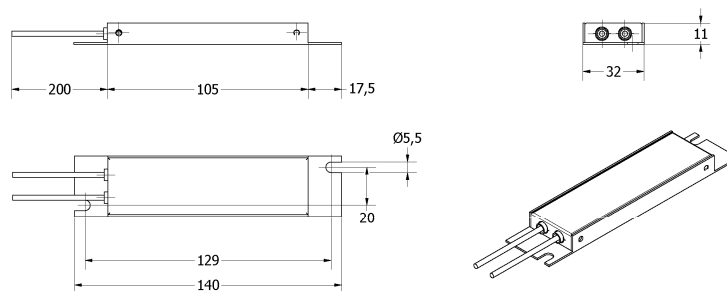
DRAWING (RFX 100,150,200)



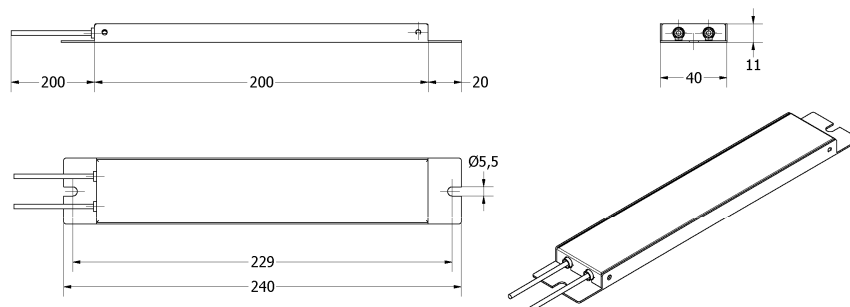
MECHANICAL DATA (RFX 300,1000)

Model	Weight [gr]
RFX 300	125
RFX 1000	260

DRAWING (RFX 300)



DRAWING (RFX 1000)



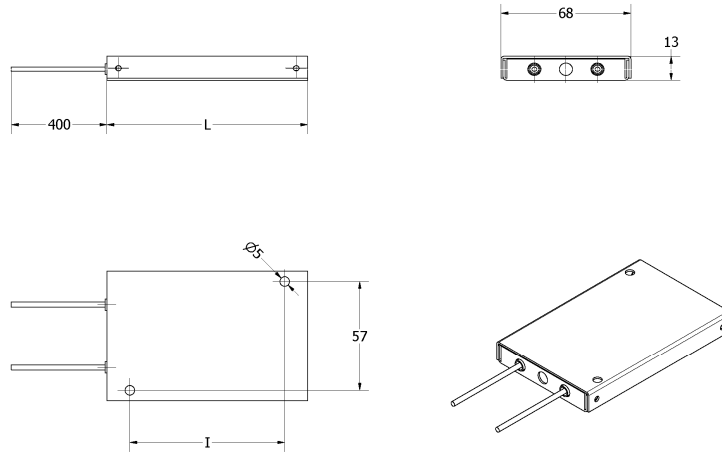


DATASHEET REV 0510

MECHANICAL DATA (RFX 600,1300)

Dimensions [mm]	L	l	Weight [gr]
RFX 600	105	81	260
RFX 1300	198	174	460

DRAWING (RFX 600,1300)



MECHANICAL DATA (RFX 800)

Dimensions [mm]	Weight [gr]
RFX 800	330

DRAWING (RFX 800)

